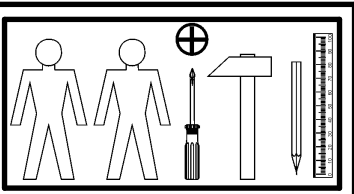
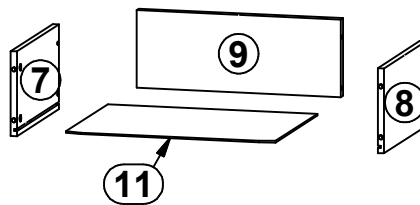
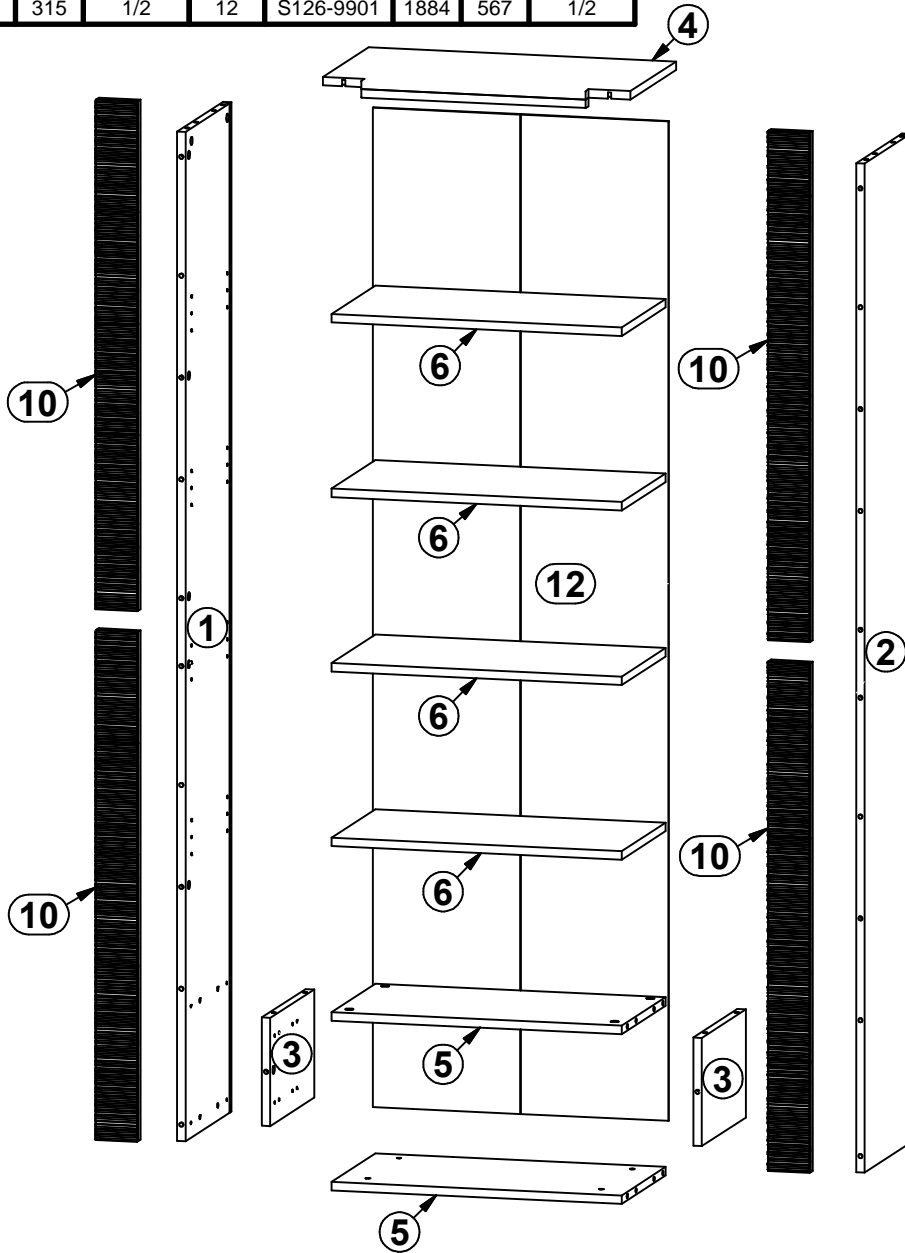


RAFLO

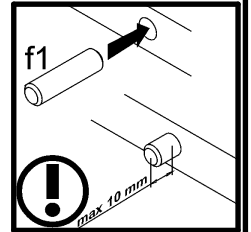
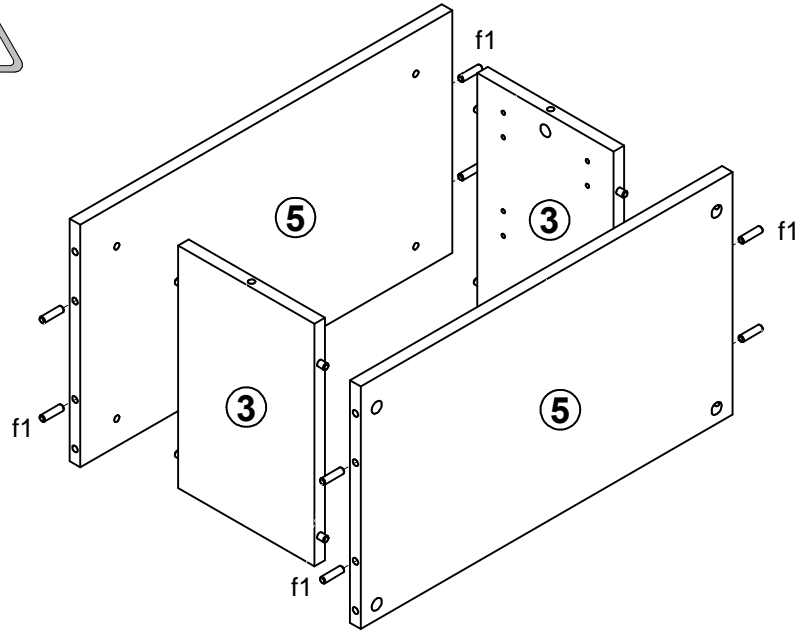
S126-REG1D1S/19/6

A	B	C		D	A	B	C		D
1	S126-101	1902	329	1/2	7	S126-501	300	160	1/2
2	S126-102	1902	329	1/2	8	S126-502	300	160	1/2
3	S126-103	204	315	1/2	9	S126-503	392	146	1/2
4	S126-201	590	351	1/2	10	S126-571	960	80	1/2
5	S126-301	557	315	1/2	11	S126-902	402	306	1/2
6	S126-302	557	315	1/2	12	S126-9901	1884	567	1/2

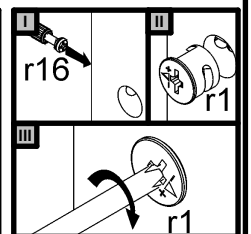
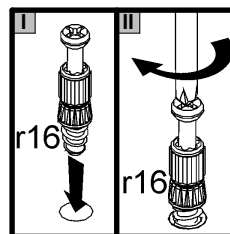
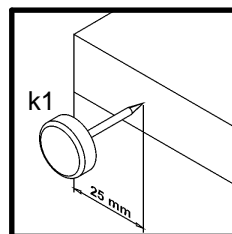
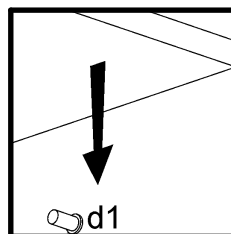
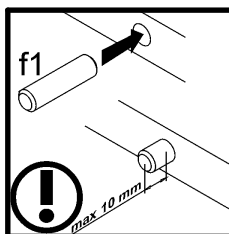
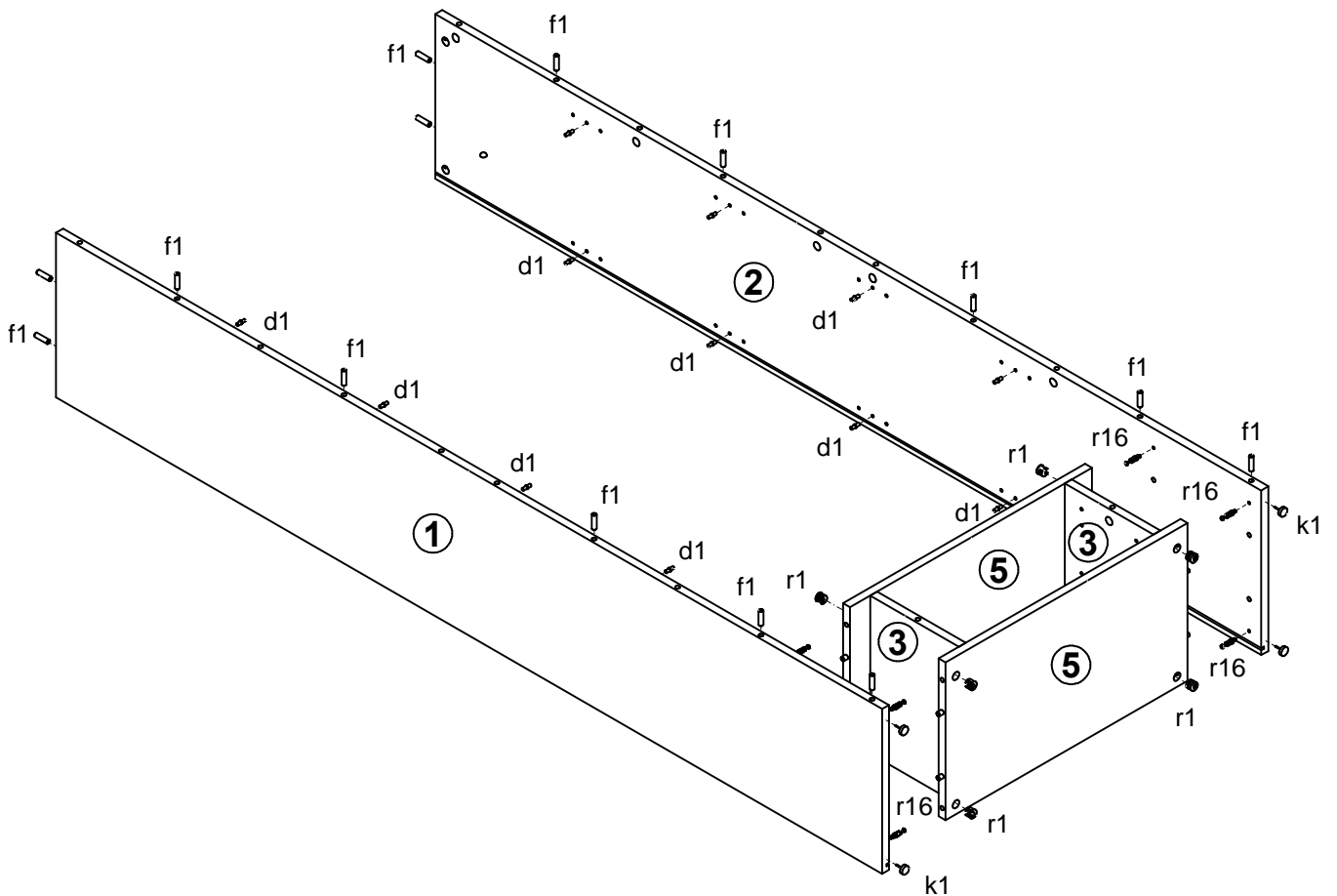


16x φ5x17 mm d1	8x φ6x13 mm e3	30x φ8x30 mm f1	4x φ6.5x40 mm f25	4x k1	15x l1	18x l2	3x φ3.5x16 mm p38	24x φ15x12mm #16 r1
4x φ12x10.5mm #12 r15	28x r16	2x φ20x12mm #16 r36	2x φ6.7x8 r37	1x 300 mm w79/L	1x 300 mm w79/P	1x n26/l1	1x φ3.5x16 mm p38	14x ø16 s2
3x φ11x5 mm s43								

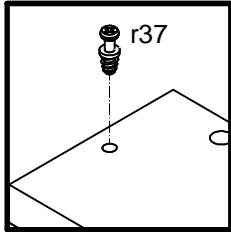
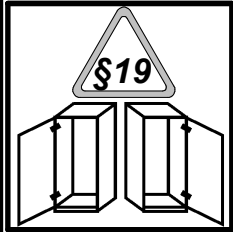
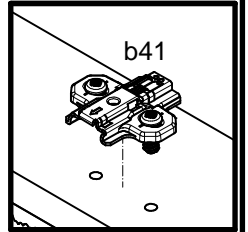
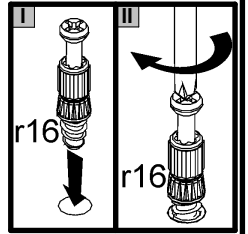
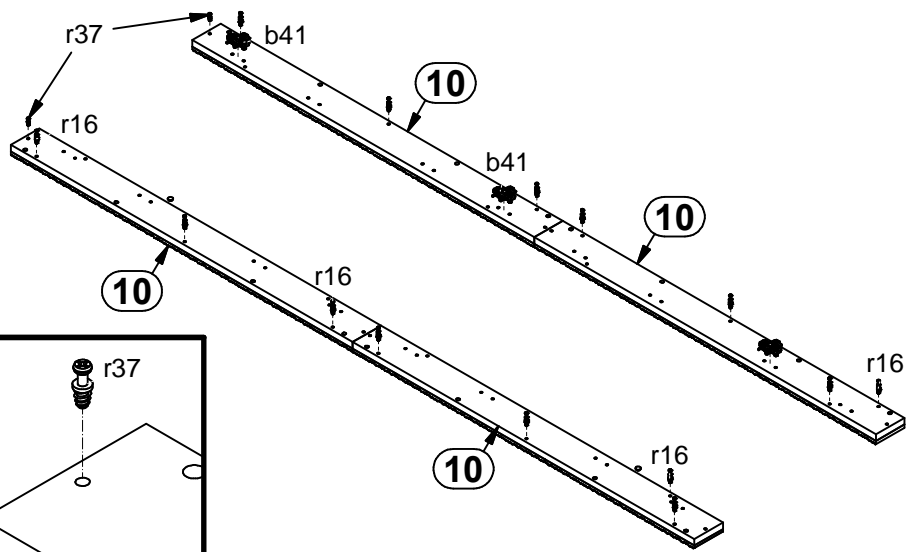
1  



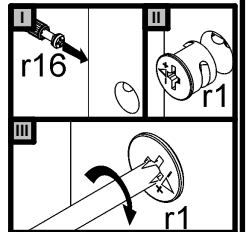
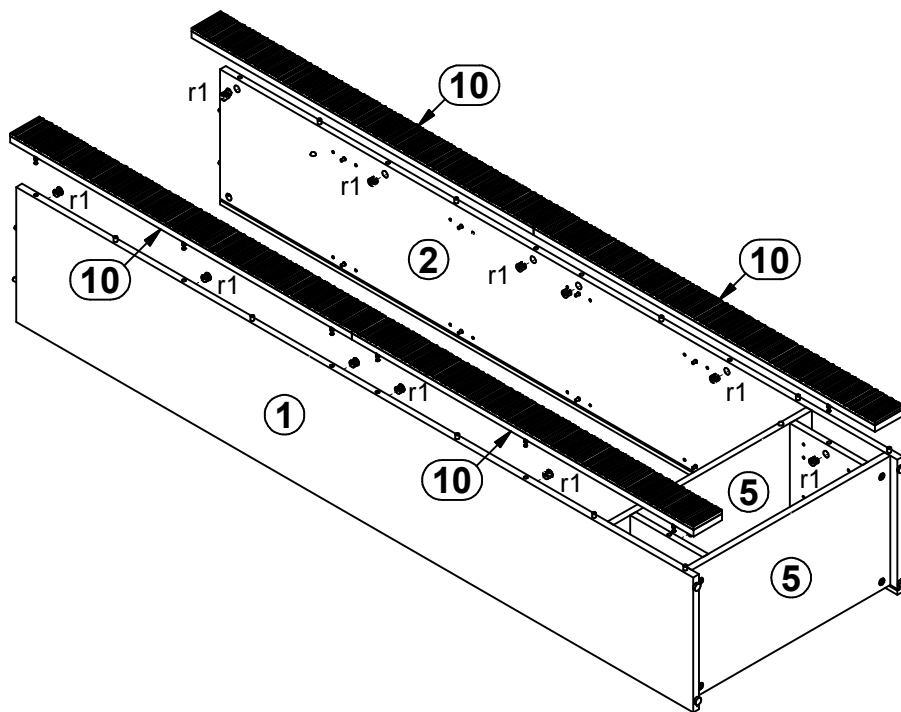
2



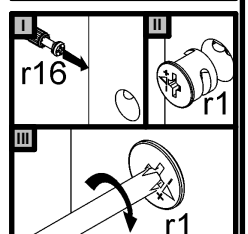
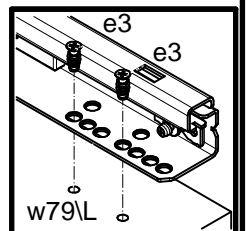
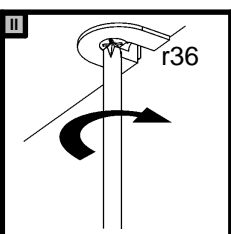
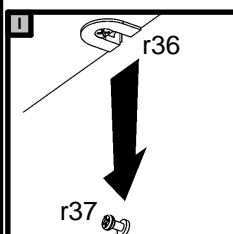
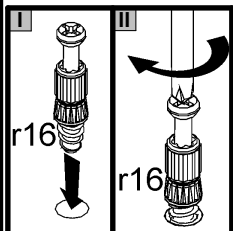
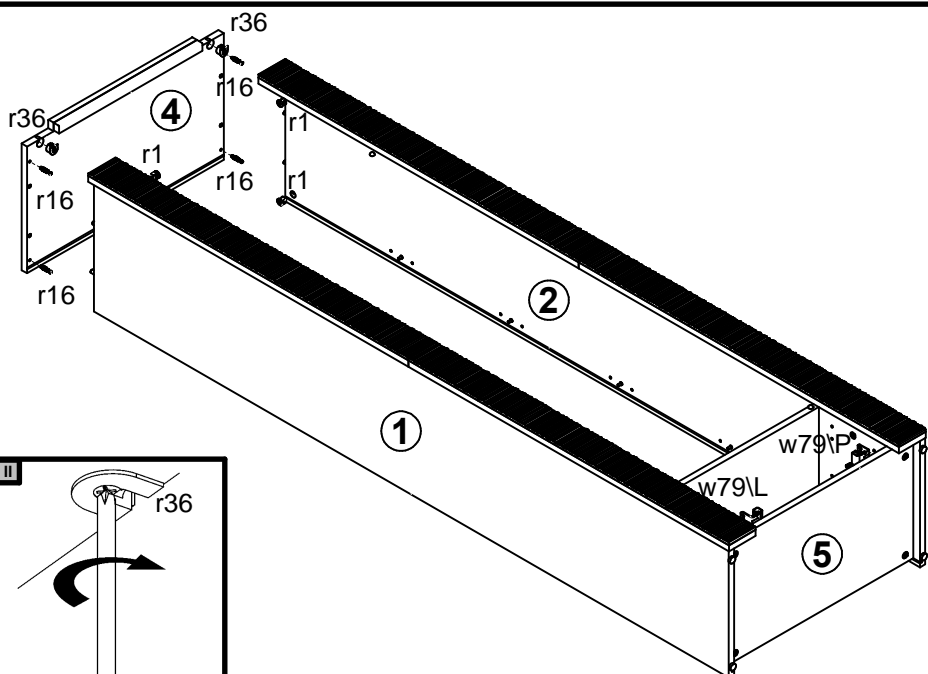
4



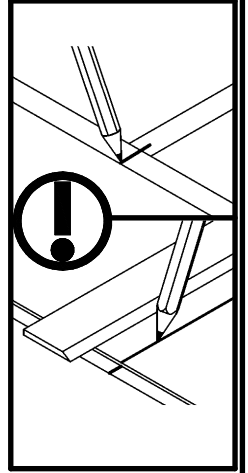
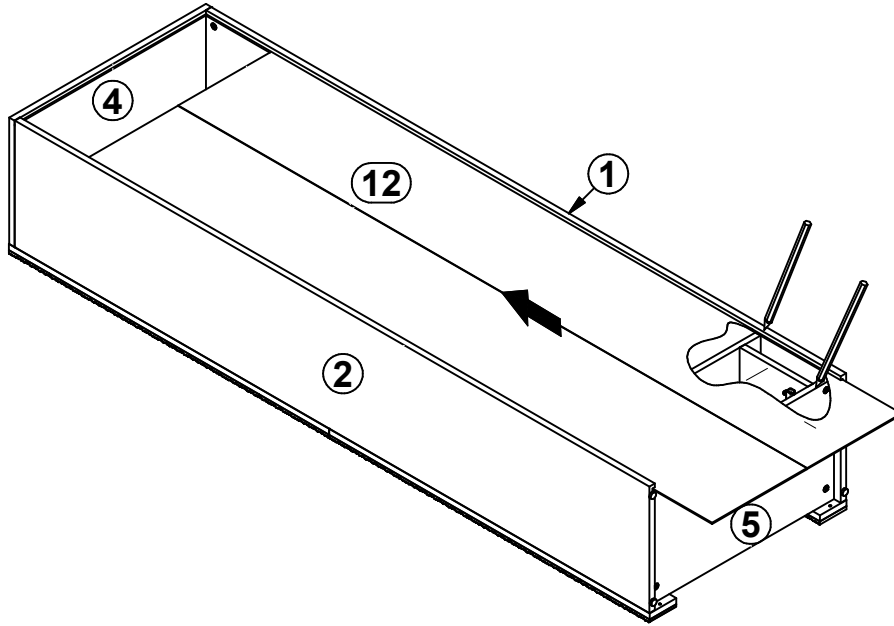
5



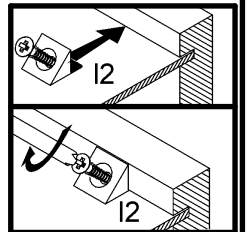
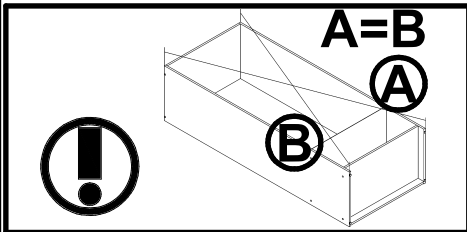
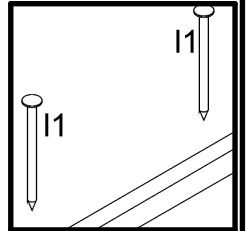
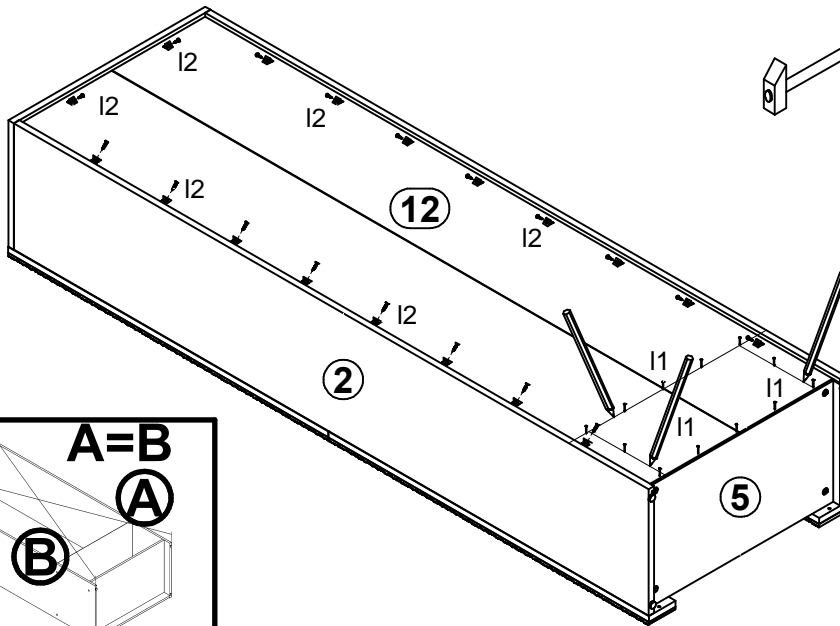
6



7



8



9

